

# Data Sheet

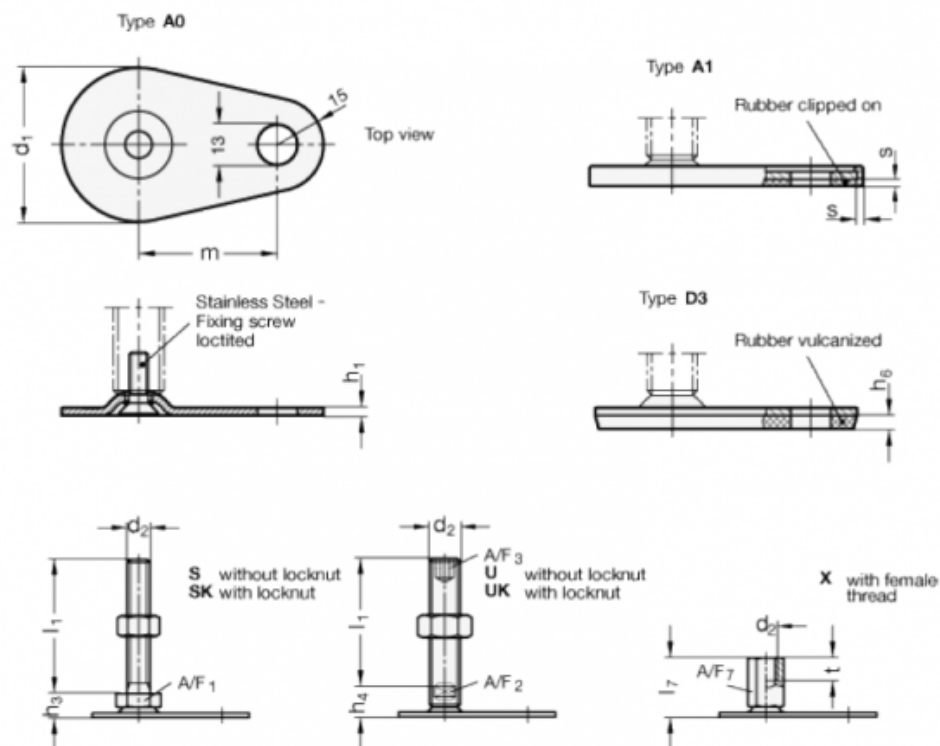


Article number: 204260M16200D3U

Description: E+G levelling foot  
GN 42-60-M16-200-D3-U

Note: U Without nut, Hexagon socket at the top, Wrench flat at the bottom

## Measures



A/F2 = 12	m = 50
A/F3 = 8	s =
d1 = 60	
d2 = M16	
h1 = 2.5	
h4 = 17	
h6 = 4.5	
l1 = 200	